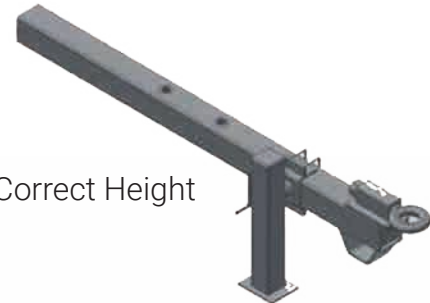
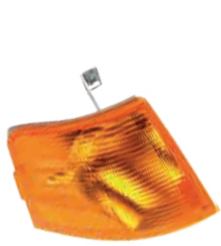


# Trailer Checklist



**License Disc** (Check Expiry Date)

**Check Ball Mount** (Correct Height and Size)

**Tyres** (Check for Cracks and Signs of Aging and Corrosion)

**Spare Tyre**

**Tyre Pressure**

**Wheel Nut Spanner**

**Lock Nut Key**

**Check Wheel Nuts** (Tightened to Correct Torque, especially after a service)

**Wheel Bearings** (Grease Bearings at Least Once Every 12 Months)

**Check Hitch, Coupler, Draw Bar and other Equipment that Connects Trailer and the Tow Vehicle to be Properly Secured and Adjusted**

**Check Safety Chain** (Length and Corrosion)

**Check Electrical Wiring:**

- Running Lights
- Brake Lights
- Turn Signal Indicators

**Check Load Distribution to be Equally Balanced:**

- Front to Back
- Side to Side

**Check Side and Rear View Mirrors to Ensure Good Visibility, Include Rear Trailer Flag if Necessary**

**Check Locks and Set of Spare Keys**

**Check Wheel Chocks on Board**

